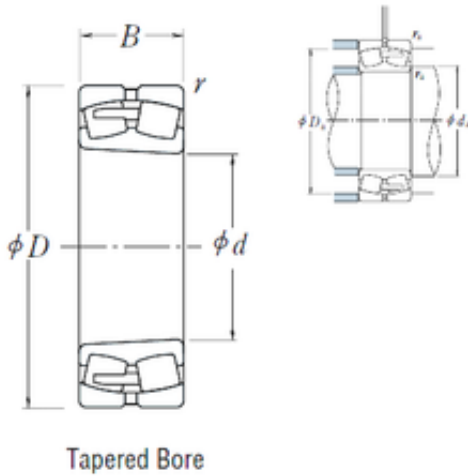




NSK 23040CAKE4 spherical roller bearings

Bearing No. 23040CAKE4



23040CAKE4 Bearing 2D drawings and 3D CAD models

Size	200x310x82 mm
Bore Diameter	200 mm
Outer Diameter	310 mm
Width	82 mm
d	200 mm
D	310 mm
B	82 mm
C	82 mm
r min.	2,1 mm
da min.	212 mm
Da min	279 mm
Da max.	298 mm
ra max.	2 mm
Weight	22,6 Kg
Basic dynamic load rating (C)	940 kN
Basic static load rating (C0)	1700 kN
(Grease) Lubrication Speed	1000 r/min
(Oil) Lubrication Speed	1300 r/min
Calculation factor (e)	0,25
Calculation factor (Y0)	2,6
Calculation factor (Y2)	4