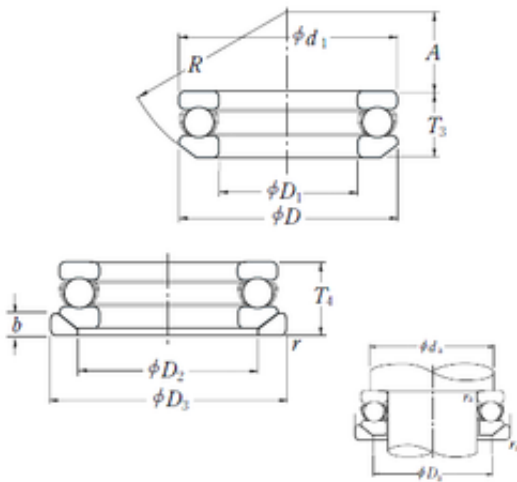




NSK 53338XU thrust ball bearings

Bearing No. 53338XU



53338XU Bearing 2D drawings and 3D CAD models

Size	190x320x121 mm
Bore Diameter	190 mm
Outer Diameter	320 mm
Width	121 mm
d	190 mm
D	320 mm
T	121 mm
b	33 mm
d1	315 mm
r min.	4 mm
A	104 mm
D1	195 mm
D2	255 mm
D3	330 mm
R	250 mm
da min.	266 mm
Da max.	244 mm
ra max.	3 mm
Weight	44,7 Kg
Basic dynamic load rating (C)	550 kN
Basic static load rating (C0)	1960 kN
(Grease) Lubrication Speed	500 r/min
SRI	25.7
hidYobi	53338XU
LangID	1
D_	320



## OMF Heavy Bearing Manufacturing Co.,Ltd

SREX	0.16
C	550
B_	121
hidTable	ecat_NSSDTB
Oil rpm	750
SRE	25.7
mass	44.7
GRS rpm	500
ra	3
SRIX	0.16
T4	121
D_3	330
D_a	244
SRIN	0
C0	1960
D_2	255
SREN	0
D_1	195
Prod_Type3	TB_SD_WASW
da	266
DA_	47.625
Z_	14
yobi	53338XU
A_	104
T3	111
SDM_	255
r	4
KBRG	513
R_	250