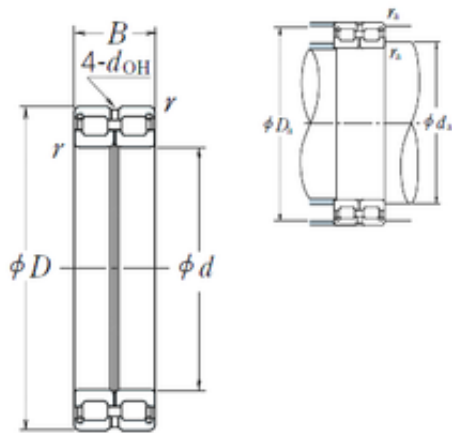




NSK RS-4972E4 cylindrical roller bearings



Bearing No. RS-4972E4

RS-4972E4 Bearing 2D drawings and 3D CAD models

Size	360x480x118 mm
Bore Diameter	360 mm
Outer Diameter	480 mm
Width	118 mm
d	360 mm
D	480 mm
B	118 mm
C	118 mm
r min.	3 mm
da min.	373 mm
Da max.	467 mm
ra max.	2,5 mm
Weight	61 Kg
Basic dynamic load rating (C)	1600 kN
Basic static load rating (C0)	4050 kN
(Grease) Lubrication Speed	260 r/min
hidYobi	RS-4972E4
LangID	1
D_	480
B_	118
hidTable	ecat_NSCLDRS
Oil rpm	260
mass	61
GRS rpm	500
ra	2.5
da_min	373



## OMF Heavy Bearing Manufacturing Co.,Ltd

C0	4050
DE_	449
Prod_Type3	CRB_FRFS_OT_FIX
DA_	28
Z_	47
yobi	RS-4972E4
da_max	467
SDM_	421
r	3
KBRG	4220
disp	7
DI_	393
doh	9