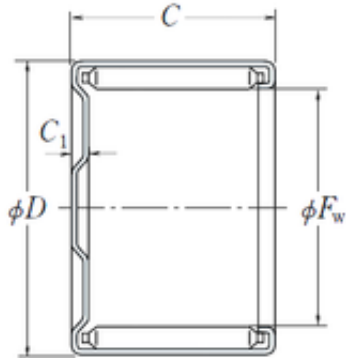




OMF Heavy Bearing Manufacturing Co.,Ltd

NSK MF-1712 needle roller bearings



Bearing No. MF-1712

Size	17x23x12 mm
Bore Diameter	17 mm
Outer Diameter	23 mm
Width	12 mm
Fw	17 mm
D	23 mm
C	12 mm
C1	1,8 mm
Weight	0,015 Kg
Basic dynamic load rating (C)	11,3 kN
(Grease) Lubrication Speed	3400 r/min
NB-DI	0
NA-DEX	0
hidYobi	MF-1712
LangID	1
D_	23
NC-SLR	0
B_	12
hidTable	ecat_NSDCNR
GRS rpm	3400
NC-SLR1	0
C0	17.337
Prod_Type3	NRB_DC_F-MF_FC_CT
d	17
NC-RAC	0
Pmax	7750

MF-1712 Bearing 2D drawings and 3D CAD models



OMF Heavy Bearing Manufacturing Co.,Ltd

N-SDM	0
yobi	MF-1712
C1_C2	1.8
ND-Z	0
OIL rpm	5600
NC-DA	0
mass_i	15
NC-KMS	0