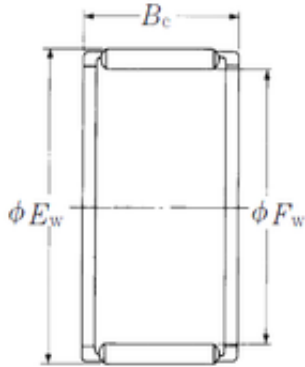




NSK FWF-404513 needle roller bearings



Bearing No. FWF-404513

Bore Diameter	40 mm
Outer Diameter	45 mm
Fw	40 mm
Ew	45 mm
Bc	13 mm
Weight	0,018 Kg
Basic dynamic load rating (C)	15,7 kN
Basic static load rating (C0)	27,5 kN

FWF-404513 Bearing 2D drawings and 3D CAD models