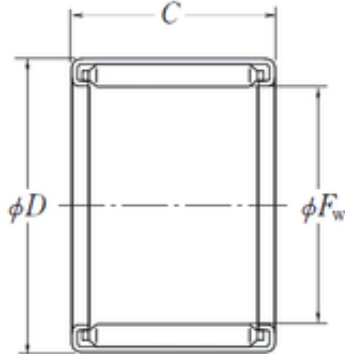




# OMF Heavy Bearing Manufacturing Co.,Ltd

## NSK F-5020 needle roller bearings



Bearing No. F-5020

F-5020 Bearing 2D drawings and 3D CAD models

Size	50x58x20 mm
Bore Diameter	50 mm
Outer Diameter	58 mm
Width	20 mm
Fw	50 mm
D	58 mm
C	20 mm
Weight	0,081 Kg
Basic dynamic load rating (C)	39,5 kN
(Grease) Lubrication Speed	1700 r/min
NB-DI	0
NA-DEX	0
hidYobi	F-5020
LangID	1
D_	58
NC-SLR	17.85
B_	20
hidTable	ecat_NSDCNR
mass_k	81
GRS rpm	1700
NC-SLR1	0
C0	99.194
C1	20
Prod_Type3	NRB_DC_F-MF_FC_OT
d	50
NC-RAC	0



## OMF Heavy Bearing Manufacturing Co.,Ltd

Pmax	41500
N-SDM	0
yobi	F-5020
C1_C2	2.8
ND-Z	0
OIL rpm	2800
NC-DA	3.143
N-KBRG	8200
NC-KMS	53