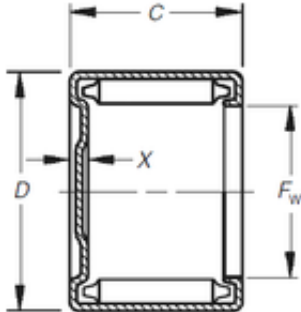




OMF Heavy Bearing Manufacturing Co.,Ltd

Timken MH-20201 needle roller bearings



Bearing No. MH-20201

Size	31.75x41.275x31.75 mm
Bore Diameter	31,75 mm
Outer Diameter	41,275 mm
Width	31,75 mm
F _w	31,75 mm
D	41,275 mm
C	31,75 mm
C1	3,05 mm
Weight	0,115 Kg
Basic dynamic load rating (C)	56 kN
Basic static load rating (C0)	115 kN
(Grease) Lubrication Speed	3300 r/min

MH-20201 Bearing 2D drawings and 3D CAD models