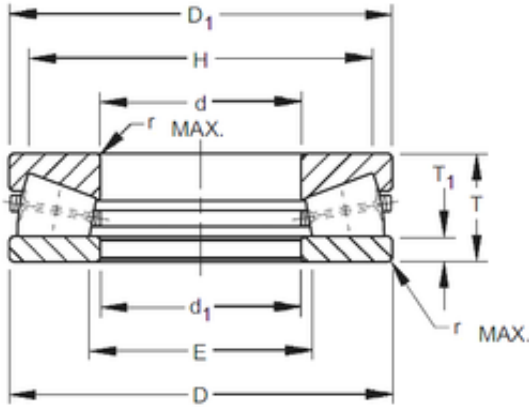




Timken W-3217-B thrust roller bearings

Bearing No. W-3217-B



W-3217-B Bearing 2D drawings and 3D CAD models

Size	127x266.7x58.738 mm
Bore Diameter	127 mm
Outer Diameter	266,7 mm
Width	58,738 mm
d	127 mm
D	266,7 mm
T	58,738 mm
r max	3,6 mm
T1	12,7 mm
d1	127,51 mm
D1	265,94 mm
E	149,2 mm
H	238,1 mm